



Product details

09 70 006 2813 Female insert, Staf 6

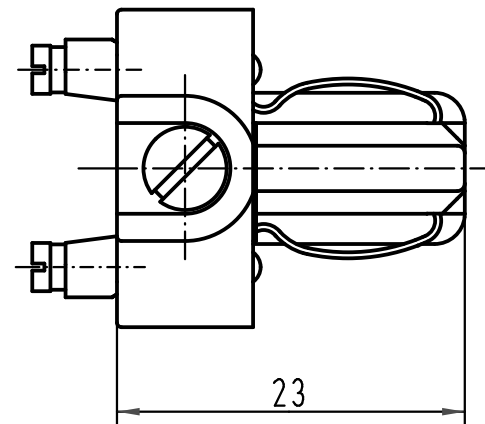
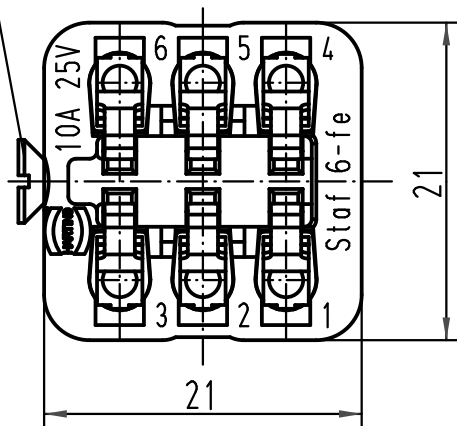
Series	Staf®
Number of contacts	6 poles without PE
Size of hood/housing	Han® 3 A
Termination	Screw termination
Insert material	Standard material
Contacts	Inclusive
Electrical data	10 A 50 V 0.8 kV 3
RoHS compliant	Yes

1 2 3 4 5 6

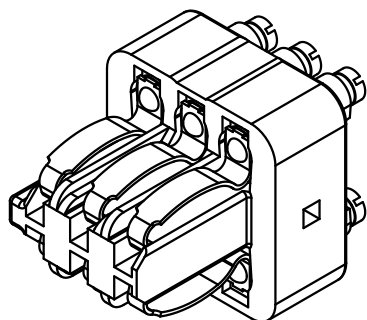
A

Senkblechschraube/ countersunk screw
ISO 1482- ST2,9x13-F

B



C



D

All Dimensions in mm Original Size DIN A 4		Techn. Character.			Nicht tolerierte Maße/ Free size tolerances	
			Dat.	Name	Maßstab/ Scale	Staf 6-fe-s Federeinsatz/female insert (M)
			Detail.	15.02.93 ENGL ICH		
			Insp.	HERB		
			Stand.			
414073	14.08.08	Rull			2:1	TB 09 70 006 2813 Sub. TB 09 70 006 2813 v.19.05.71
413578	18.01.08	Ho	HARTING Electric GmbH & Co. KG			
30494	13.03.02	DY	D-32339 Espelkamp			
Mod.	Dat.	Name				Blatt/ page